



STORAGE SOLUTIONS FOR KITCHENS





CERTIFICATE

VAUTH-SAGEL SYSTEMTECHNIK GmbH & Co. KG
WARRANTS ALL ITS PRODUCTS SUBJECT
TO THE TERMS AND CONDITIONS OF SALE
WITH A

10 YEARS WARRANTY



Find out more information on www.hafele.co.uk/vauth-sagel-warranty



Vauth-Sagel has stood for contemporary and innovative storage solutions for over 60 years. The owner-managed family business develops, manufactures and sells system components that are aimed at making people's lives more comfortable. With many years of expertise in working with all of the materials used, 1000 employees manufacture more than 85 million quality products "Made in Germany" every year. Vauth-Sagel wants "people to rediscover highly COMFORTABLE living environments and therefore create SPACE. For EVERYONE, everywhere in the world!." With this mission, Vauth-Sagel accommodates the needs of its customers around the world with ground-breaking inspirational innovations they can include in their product design and fittings to ensure that they are always the one decisive step ahead.

Everything starts with an idea. An idea that we believe in, that drives us every day and that surprises and excites us again and again.



*We want
to create high-quality system
solutions for living spaces.
For everyone.*

This is the idea that Hermann Vauth and Heinrich Sagel created in 1962. And that we still hold on to today. Every day. To us space is in the eye of the beholder. We see solutions where others look away. We never rest on our laurels. We are always thinking one step ahead and looking for new challenges in order to recognize and redefine the living spaces of tomorrow and to facilitate and beautify everyday life.

INTRINSIC **VALUES** FOR EVERY KITCHEN



VS TAL®
TALL CABINETS

VS ENVI®
WASTE BIN
SYSTEMS



”

*A good kitchen
is a good part
of a good life.*

The kitchen is the centre of household life, in all continents on earth. Priorities differ depending on the cultural area, with design customized according to the tastes and way of life of the residents – but it's always the place where people come together. Where people not only cook and eat together, but also talk, laugh and communicate with each other. A kitchen that is perfectly tailored to the desires and needs of its users, that optimally utilizes all spaces and that combines material quality, convenience, functionality and aesthetics is the ideal to which we have been committed to for more than 60 years.

VS SUB®
BASE CABINETS

VS COR®
CORNER CABINETS



CONTENTS

VARIANTS

Design variants	9
-----------------	---

VS TAL® - TALL CABINETS

VS TAL® Gate (N)	13
VS TAL® Gate	17
VS TAL® Gate Pro	21
VS TAL® Larder	23
Power move and PAM	27
VS TAL® Wiro	31
VS SUB® Basket (Tall)	29

VS COR® - CORNER CABINETS

VS COR® Flex	43
VS COR® Fold	47
CORNERSTONE® MAXX	51
CORNERSTONE® Swing	55
VS COR® Wheel Pro	57

VS SUB® - BASE CABINETS

VS SUB® Slim	61
VS SUB® Side	63
VS SUB® Basket	67

VS ENVI® - WASTE BIN SYSTEMS

VS ENVI® Space XX Pro	71
VS ENVI® Space (Pro)	75
VS ENVI® Space S undersink bin	77
VS ENVI® Center	79
VS ENVI® Single	81
VS ENVI® Fit	83
VS ENVI® Free	85
VS ENVI® Drawer	87
VS ENVI® Kick	89

ABOUT VAUTH-SAGEL

91





Planero

DESIGN VARIANTS

VERSATILE AND FLEXIBLE.

Shape and material are often a matter of taste when choosing baskets. That's why the entire Vauth-Sagel basket line is designed as a modular system in which the guide and the frame can each be combined with different shelf variants.



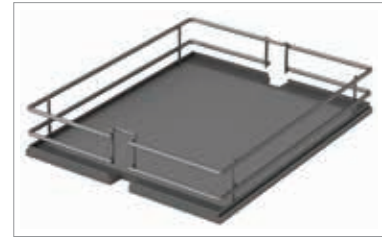
Artline*

White wooden base with chrome wire frame and clear glass sides.



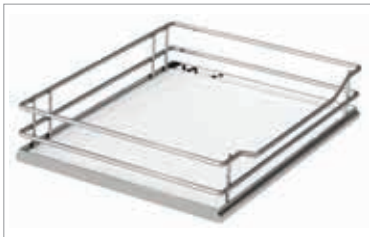
Planero

Wooden base with powder coated steel border in lava grey.



Premea lava grey

Premea lava grey solid wooden base with lava grey wire frame.



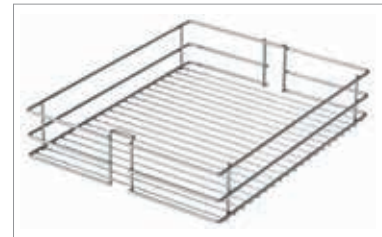
Premea white*

Premea white solid wooden base with chrome wire frame.



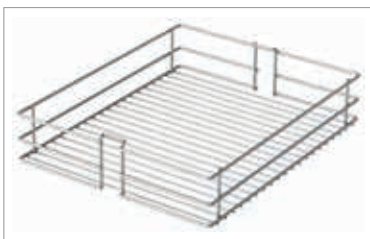
Saphir

Saphir mesh chrome wire basket.



Classic chrome

Classic chrome wire basket.



Classic silver

Classic silver wire basket.



Planero

Wooden base with powder coated steel border in lava grey.



Rail

Lava grey shelf with lava grey rail.



Rail

White shelf with chrome or silver rail.



White chrome*

White base with chrome effect edge.

*Selected lines only

VS

TAL

VS TAL[®] - TALL CABINETS

An elegant tall cabinet is the gateway to a good kitchen life. As a storage cabinet for food or as a practical storage option for kitchen utensils, it significantly contributes to improved working

efficiency and an increased quality of life. Neither narrow gaps nor small opening angles stand in the way of our tall cabinet solutions.



VS TAL Gate N | Premea lava grey

VS TAL® Gate (N)

SPACE NEVER RUNS SHORT HERE.



Space-saving solutions are especially important in the kitchen: like this practical pull-out that gets the best out of narrow tall cabinets. With a single grip it provides an insight into the entire contents of the cabinets. The approx. 160° door opening and the height-adjustable shelves allow for customized adjustments.



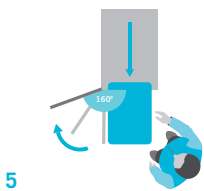
DETAILS

- ✓ Cabinet widths: 300 and 400 mm
- ✓ Installation depth: min. 480 mm
- ✓ Installation height: 1700-2140 mm
- ✓ Basket height (front/rear): Classic, Saphir: 75 / 115 mm; Premea, Planero: 84 / 124 mm
- ✓ EasyFit: toolless frame assembly on the lower runner
- ✓ EasyFit: toolless connection between the driver and support frame
- ✓ Individually height-adjustable baskets
- ✓ 5 baskets included per set
- ✓ System payload capacity: max. 75 kg
- ✓ Load capacity per basket: max. 15 kg
- ✓ Storage versions: Classic, Saphir, Premea and Planero

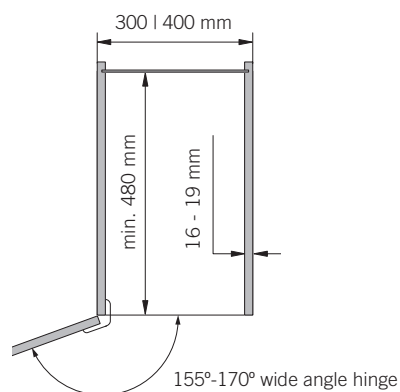


BENEFITS

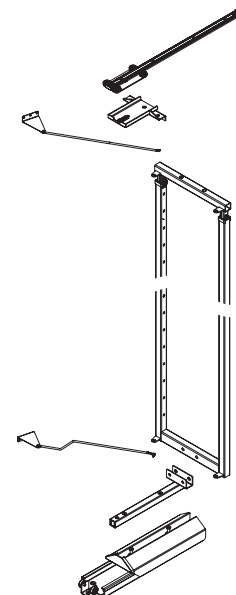
1. Optimal access
2. Complete overview at one pull
3. Time-saving
4. Customisable height adjustment
5. Maximal access from minimum opening



Cabinet dimension



- ✓ Set includes:
 - 1x Frame set
 - 1x Runner set
 - 1x Basket set





VS TAL Gate N | Saphir chrome



VS TAL Gate N I Classic silver

VS TAL Gate N I Classic silver

For cabinet width	300 mm	400 mm
Installed height		
1700-1950 mm	549.57.953	549.57.963
1900-2140 mm	549.57.954	549.57.964



VS TAL Gate N I Classic chrome

VS TAL Gate N I Classic chrome

For cabinet width	300 mm	400 mm
Installed height		
1700-1950 mm	549.57.353	549.57.363
1900-2140 mm	549.57.354	549.57.364



VS TAL Gate N I Saphir chrome

VS TAL Gate N I Saphir chrome

For cabinet width	300 mm	400 mm
Installed height		
1700-1950 mm	549.57.253	549.57.263
1900-2140 mm	549.57.254	549.57.264



VS TAL Gate N I
Premea lava grey

VS TAL Gate N I Premea lava grey

For cabinet width	300 mm	400 mm
Installed height		
1700-1950 mm	549.57.043	549.57.033
1900-2140 mm	549.57.044	549.57.034



VS TAL Gate N I
Planero lava grey

VS TAL Gate N I Planero lava grey

For cabinet width	300 mm	400 mm
Installed height		
1700-1950 mm	549.58.303	549.58.313
1900-2140 mm	549.58.304	549.58.314



UPPER RUNNER

- ✓ Easy to install
- ✓ Few components
- ✓ Locked by simply clipping into place
- ✓ Elegant optic



VS TAL Gate I Premea lava grey

VS TAL® Gate

THE GATEWAY TO MAXIMUM STORAGE SPACE.



1

This tall cabinet solution opens up the best perspectives in the kitchen. Developed for maximum storage space and easy access, it sets new standards in convenience and design. It is particularly characterized by the opening mechanism that automatically moves the stored goods toward the user in one go, providing for an optimal overview.



2

DETAILS

- ✓ Cabinet widths: 500 and 600 mm
- ✓ Installation depth: min. 480 mm
- ✓ Installation height: 1200-2140 mm
- ✓ Basket height (front/rear): Classic, Saphir: 75 / 115 mm; Artline, Premea, Planero: 84 / 124 mm
- ✓ EasyFit: toolless frame assembly on the lower runner
- ✓ EasyFit: toolless connection between the driver and support frame
- ✓ Individually height-adjustable baskets
- ✓ 1200- 1450 mm and 1450-1700 mm: 4 baskets per set
- ✓ 1700-1950 mm and 1900-2140 mm: 5 baskets per set
- ✓ System payload capacity: max. 75 kg
- ✓ Load capacity per basket: max. 15 kg
- ✓ Storage versions: Classic, Saphir, Premea, Artline and Planero



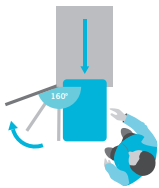
3



4

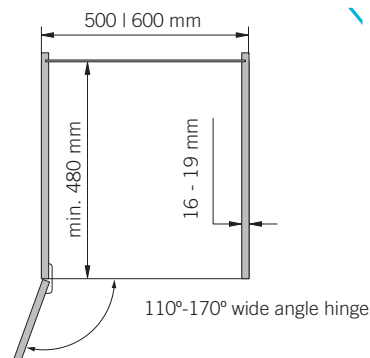
BENEFITS

1. Optimal access
2. Complete overview at one pull
3. Time-saving
4. Customisable height adjustment
5. Maximal access from minimum opening

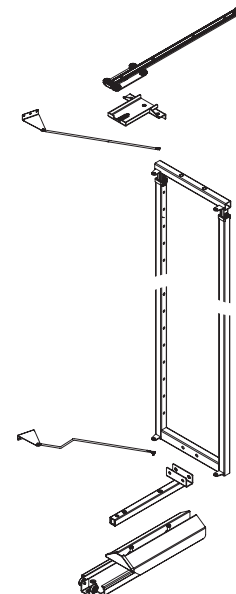


5

Cabinet dimension



- ✓ Set includes:
 - 1x Frame set
 - 1x Runner set
 - 1x Basket set





VS TAL Gate I Planero lava grey



VS TAL Gate I Classic silver

VS TAL Gate I Classic silver

For cabinet width	500 mm	600 mm
Installed height		
1200-1450 mm	–	549.58.941
1450-1700 mm	–	549.58.942
1700-1950 mm	549.58.933	549.58.943
1900-2140 mm	549.58.934	549.58.944



VS TAL Gate I Classic chrome

VS TAL Gate I Classic chrome

For cabinet width	500 mm	600 mm
Installed height		
1200-1450 mm	–	549.58.141
1450-1700 mm	–	549.58.142
1700-1950 mm	549.58.133	549.58.143
1900-2140 mm	549.58.134	549.58.144



VS TAL Gate I Saphir chrome

VS TAL Gate I Saphir chrome

For cabinet width	500 mm	600 mm
Installed height		
1200-1450 mm	–	549.57.291
1450-1700 mm	–	549.57.292
1700-1950 mm	549.57.283	549.57.293
1900-2140 mm	549.57.284	549.57.294



VS TAL Gate I
Premea lava grey

VS TAL Gate I Premea lava grey

For cabinet width	500 mm	600 mm
Installed height		
1200-1450 mm	–	549.57.011
1450-1700 mm	–	549.57.012
1700-1950 mm	549.57.003	549.57.013
1900-2140 mm	549.57.004	549.57.014



VS TAL Gate I Artline chrome

VS TAL Gate I Artline chrome

For cabinet width	500 mm	600 mm
Installed height		
1200-1450 mm	–	549.57.491
1450-1700 mm	–	549.57.492
1700-1950 mm	549.57.483	549.57.493
1900-2140 mm	549.57.484	549.57.494



VS TAL Gate I Planero lava grey

VS TAL Gate I Planero lava grey

For cabinet width	500 mm	600 mm
Installed height		
1200-1450 mm	–	549.58.341
1450-1700 mm	–	549.58.342
1700-1950 mm	549.58.333	549.58.343
1900-2140 mm	549.58.334	549.58.344



VS TAL® Gate Pro

THE GATEWAY TO MAXIMUM STORAGE SPACE.



1

This tall cabinet solution opens up the best perspectives in the kitchen. Developed for maximum storage space and easy access, it sets new standards in convenience and design. It is particularly characterized by the opening mechanism that automatically moves the stored goods toward the user in one go, providing for an optimal overview.



2

DETAILS

- ✓ Cabinet widths: 500 and 600 mm
- ✓ Installation depth: min. 480 mm
- ✓ Installation height: 1700-1950 or 1900-2150 mm:
5x baskets (door and main each) are included
- ✓ Basket height: Door: 75 mm, main: 80 mm
- ✓ Individually height-adjustable baskets
- ✓ Load capacity: max. door: 5 kg, main: 20 kg
- ✓ Basket variant: Saphir chrome



3

BENEFITS

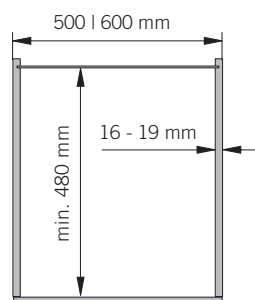
1. Optimal access
2. Complete overview at one pull
3. Time-saving
4. Customisable height adjustment



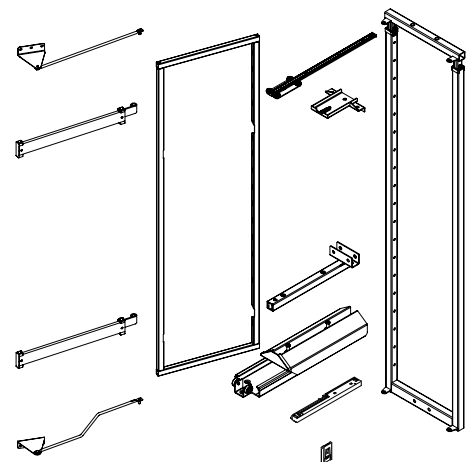
4

For cabinet width	500 mm	600 mm
Installed height		
1700-1950 mm	549.58.033	549.58.043
1900-2140 mm	549.58.034	549.58.044

Cabinet dimension



- ✓ Set includes:
 - 1x Frame set
 - 1x Door mounted frame set
 - 1x Runner set
 - 1x Basket set





UPPER RUNNER

- Constant excellent running characteristics thanks to synchronized runners
- Damping without "rebound effect" thanks to hydro damping

PAM

POWER
ASSISTED
MOVEMENT

VS TAL® Larder

YOUR STOCKPILE OF ACCESSIBLE STORAGE SPACE.



Every kitchen needs a little elegance. The front opens and shuts easily and silently due to the damping and self closing mechanism of the full extension runners. The frame and the front connections are designed in a high-quality, double powder-coated surface.

DETAILS



- ✓ Cabinet widths: 300 and 400 mm
- ✓ Installation depth: 470 mm
- ✓ Installation height: 1200-2140 mm
- ✓ Basket depth: Classic, Saphir, Premea, Artline: 428 mm, Planero: 410 mm
- ✓ EasyFit: self-locking system for tool-free installation of frame into upper and lower guide rails



- ✓ 3-D front adjustment allows simple, convenient front adjustment
- ✓ Front stabilised by fascia strips
- ✓ Individual height adjustment for baskets
- ✓ 1200-1450 mm and 1450-1700 mm: 4 baskets per set
- ✓ 1700-1950 mm and 1900-2140 mm: 5 baskets per set

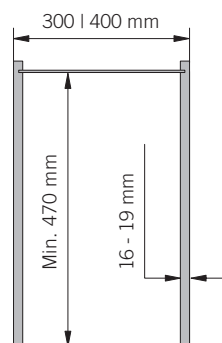


- ✓ Heavy-duty, noise-restricted roller guides
- ✓ Synchronised upper and lower end stops
- ✓ Full synchronised bottom runner
- ✓ PAM: optional Power Assisted Movement in pull-out direction
- ✓ Self- and soft close
- ✓ System payload capacity: max. 80 kg
- ✓ Load capacity per basket: max. 16 kg
- ✓ Basket variants: Classic, Saphir, Premea, Artline and Planero

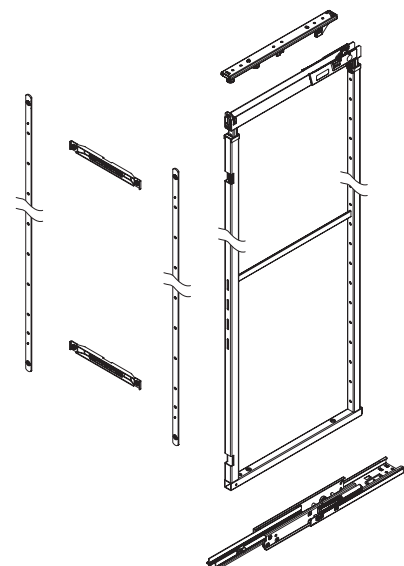
BENEFITS

1. Optimal access
2. Complete overview at one pull
3. Time-saving
4. Customisable height adjustment

Cabinet dimension

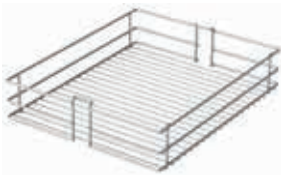


- ✓ Set includes:
 - 1x Frame set
 - 1x Runner set
 - 1x Basket set





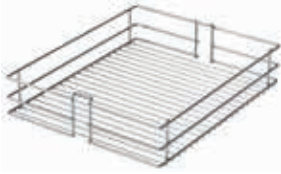
VS TAL® Larder I Premea lava grey



VS TAL® Larder I Classic silver

VS TAL® Larder I Classic silver

For cabinet width	300 mm	400 mm
Installed height		
1200-1450 mm	547.17.812	547.17.832
1450-1700 mm	547.17.813	547.17.833
1700-1950 mm	547.17.814	547.17.834
1900-2140 mm	547.17.815	547.17.835



VS TAL® Larder I Classic chrome

VS TAL® Larder I Classic chrome

For cabinet width	300 mm	400 mm
Installed height		
1200-1450 mm	547.17.712	547.17.732
1450-1700 mm	547.17.713	547.17.733
1700-1950 mm	547.17.714	547.17.734
1900-2140 mm	547.17.715	547.17.735



VS TAL® Larder I Saphir chrome

VS TAL® Larder I Saphir chrome

For cabinet width	300 mm	400 mm
Installed height		
1200-1450 mm	547.49.502	547.49.522
1450-1700 mm	547.49.503	547.49.523
1700-1950 mm	547.49.504	547.49.524
1900-2140 mm	547.49.505	547.49.525



VS TAL® Larder I Premea lava grey

VS TAL® Larder I Premea lava grey

For cabinet width	300 mm	400 mm
Installed height		
1200-1450 mm	547.17.012	547.17.032
1450-1700 mm	547.17.013	547.17.033
1700-1950 mm	547.17.014	547.17.034
1900-2140 mm	547.17.015	547.17.035



VS TAL® Larder I
Artline white chrome

VS TAL® Larder I Artline white chrome

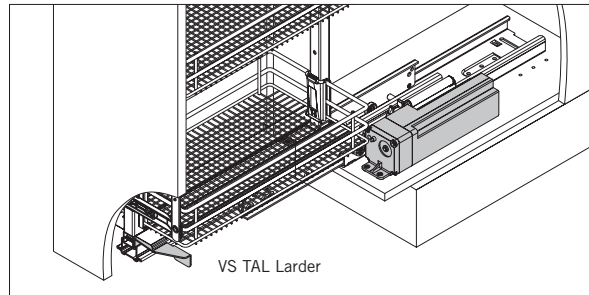
For cabinet width	300 mm	400 mm
Installed height		
1200-1450 mm	547.49.702	547.49.722
1450-1700 mm	547.49.703	547.49.723
1700-1950 mm	547.49.704	547.49.724
1900-2140 mm	547.49.705	547.49.725



VS TAL® Larder I Planero lava grey

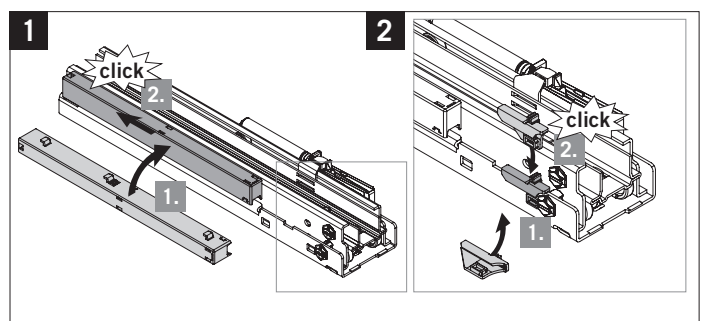
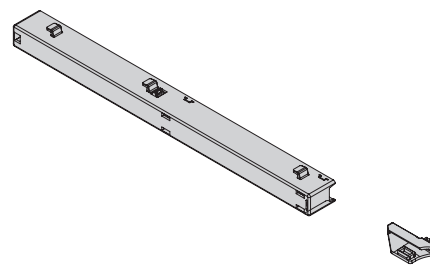
VS TAL® Larder I Planero lava grey

For cabinet width	300 mm	400 mm
Installed height		
1200-1450 mm	547.49.302	547.49.322
1450-1700 mm	547.49.303	547.49.323
1700-1950 mm	547.49.304	547.49.324
1900-2140 mm	547.49.305	547.49.325



PAM

POWER
ASSISTED
MOVEMENT



VS TAL® Larder Power Move

ELECTRIC MOTOR SUPPORT FOR SUPER EASY OPENING.

A typical situation in kitchens every day: No free hand to open the cabinet? That is no problem anymore because a gentle pushing at the front triggers the opening process. Silently and smoothly the door opens also because of an integrated pull-out damping.

DETAILS

- ↘ Cabinet widths: 300 and 400 mm

Item	Art. No.
Power move	547.21.090

PAM - POWER ASSISTED MOVEMENT

MECHANICAL SUPPORT FOR FULL ACCESS.

Even more comfort for the daily work in the kitchen. The mechanical opening support PAM always opens the cabinet completely and silently. This works in combination with the Power Move but also without.

DETAILS

- ↘ Cabinet widths: 300 and 400 mm

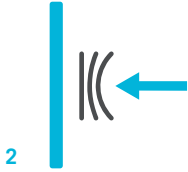
Item	Art. No.
Power assisted movement	547.24.990



VS SUB® Basket I Planero lava grey

VS SUB® Basket (Tall)

A NICE MOVE TO THE BASKET.



Basket pull-out with integral self-closing and soft-closing for installation in cabinets with hinged doors or cabinets with door fronts. Usable as a front or internal pull-out, this basket pull-out is equipped with a self-closing mechanism and integrated shock absorption system.

DETAILS

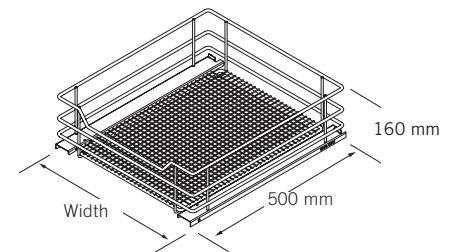
- ✓ Cabinet widths: 400, 450, 500 and 600 mm
- ✓ Minimum installation depth: 500 mm
- ✓ Minimum installation heights: 185 mm with runner
- ✓ Variants with spacing strip for installation behind a door
- ✓ Mounting of the baskets on the runners without tools
- ✓ Load capacity: max. 30 kg per basket
- ✓ Storage versions: Saphir and Planero
- ✓ Set includes:
 - 1x storage basket
 - 1x runner set
 - 1x spacing strip

BENEFITS

1. Optimal access
2. Sound-damping and active soft-closing function

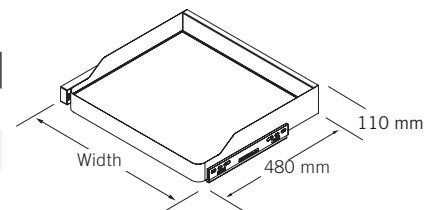
VS SUB® Basket I Saphir chrome

For cabinet width	Basket width	Art. No.
400 mm	362-368 mm	548.01.212
450 mm	412-418 mm	548.01.213
500 mm	462-468 mm	548.01.214
600 mm	562-568 mm	548.01.216



VS SUB® Basket I Planero lava grey

For cabinet width	Basket width	Art. No.
400 mm	313 mm	548.01.492
500 mm	413 mm	548.01.494
600 mm	513 mm	548.01.495





VS TAL® WIRO Rack

A BONUS FROM TOP TO BOTTOM.

1



2



3



4



Regardless of how well a kitchen has been planned, there will always be a few corners where storage space is wasted. This tall cabinet pull-out rack is only fifteen centimetres wide and is equipped with five baskets at various conveniently arranged heights. They offer space for spices, glasses and containers that you would like to store in a handy place but not necessarily on view.

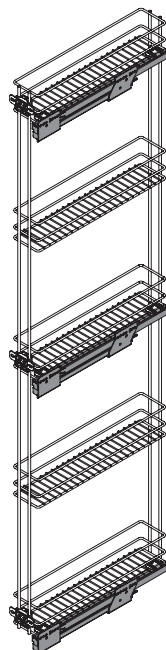
DETAILS

- ✓ Cabinet width: 150 mm
- ✓ Installation depth: 495 mm
- ✓ Installation height: min. 1734 mm (with runners)
- ✓ Internal cabinet height: min. 1850 mm (to allow clearance for contents in the top basket)
- ✓ Grass Nova Pro soft close runners
- ✓ Right hand mounting only
- ✓ Brings the contents in front of the cabinet
- ✓ Front rack with connection to the front
- ✓ Load capacity: max. 25 kg

BENEFITS

1. Optimal access
2. Complete overview at one pull
3. Optimum air circulation
4. Time-saving

For cabinet width/basket width	150 mm / 94 mm
Chrome	549.85.222
Lava grey	549.85.522
Silver	549.85.922





VS TAL® WIRO I Chrome

VS TAL® WIRO Bottle

STORAGE SOLUTIONS FOR NARROW TALL CABINETS.

1



Store the entire spectrum of fine wines on a rack that takes up a mere fifteen centimetres of space. All you need is this special pull-out rack with bottle holders and baskets, unit can hold upto 16 bottles. Simply open the cabinet instead of wasting your time with a trip down to the cellar, time that would be better spent enjoying them!

2



DETAILS

- ✓ Cabinet width: 150 mm
- ✓ Installation depth: min. 495 mm
- ✓ Installation height: min. 1734 mm (with runners)
- ✓ Internal cabinet height: min. 1850 mm (to allow clearance for contents in the top basket)
- ✓ Right hand mounting only
- ✓ Grass Nova Pro soft close runners
- ✓ Load capacity: max. 25 kg (front attachment included)
- ✓ Includes shelves and bottle holders

3



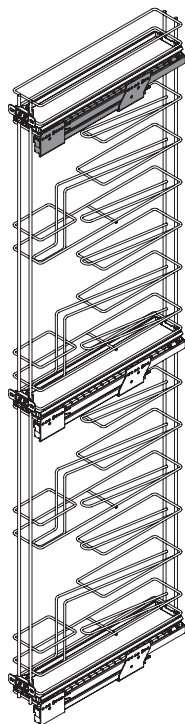
BENEFITS

1. Optimal access
2. Complete overview at one pull
3. Optimum air circulation
4. Time-saving

4



For cabinet width/basket width	150 mm / 94 mm
Chrome	549.85.202





VS TAL® WIRO | Chrome

VS TAL® WIRO Broom

STORAGE SOLUTIONS FOR NARROW TALL CABINETS.



Storing brooms and cleaning materials in a stylish yet handy way is a challenge which this special tall cabinet pull-out rack masters effortlessly. Everything tidily stored away, on hand and not on view. A neat solution: typical for Vauth-Sagel.

DETAILS

- ✓ Cabinet width: 150 mm
- ✓ Installation depth: 495 mm
- ✓ Installation height: min. 1734 mm (with runners)
- ✓ Internal cabinet height: min. 1850 mm (to allow clearance for contents in the top basket)
- ✓ Right hand mounting only, access from the left
- ✓ Grass Nova Pro soft close runners
- ✓ Load capacity: max. 25 kg (front attachment included)
- ✓ Includes five shelves and four 1.2 litres plastic trays

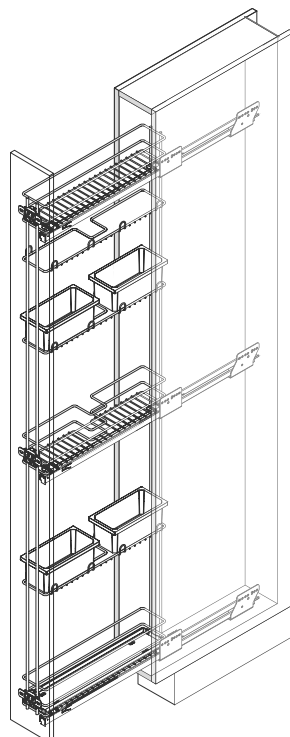


BENEFITS

1. Optimal access
2. Complete overview at one pull
3. Optimum air circulation
4. Time-saving

For cabinet width/basket width	150 mm / 94 mm
--------------------------------	----------------

Chrome	549.94.200
--------	------------





VS TAL® WIRO | Chrome

VS TAL® WIRO Rack&Bottle

STORAGE SOLUTIONS FOR NARROW TALL CABINETS.

1



If you are a fan of efficient solutions, you will love this multifunctional pull-out unit that is only 15 cm wide. A bottle rack for eight bottles and three baskets make storing bottles, spices, glasses and containers in a tidy way easy across the entire cabinet height. VS TAL® WIRO Rack&Bottle is a very clearly structured, elegant and extremely contemporary storage solution.

2



DETAILS

- ✓ Cabinet width: 150 mm
- ✓ Installation depth: min. 495 mm
- ✓ Installation height: min. 1734 mm (with runners)
- ✓ Internal cabinet height: min. 1850 mm (to allow clearance for contents in the top basket)
- ✓ Right hand mounting only
- ✓ Grass Nova Pro soft close runners
- ✓ Load capacity: max. 25 kg (front attachment included)

3



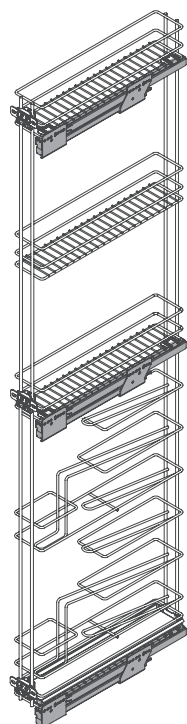
BENEFITS

1. Optimal access
2. Complete overview at one pull
3. Optimum air circulation
4. Time-saving

4



For cabinet width/basket width	150 mm / 94 mm
Chrome	549.85.254
Lava grey	549.85.554



VS
COR

VS COR[®] - CORNER CABINETS

A corner cabinet is not simply a cabinet placed in a corner. With this conceptual approach, we have developed cabinet solutions that not only optimally utilize angled spaces, but instead put

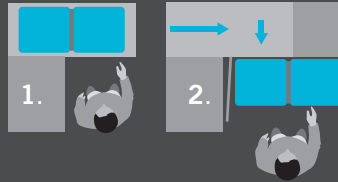
the corner right in the centre of the kitchen experience. As a result, we open up unseen perspectives in the kitchen and allow people to experience space in a new way.

Corner Cabinets

ACCESS EVERY CORNER

VS COR® Flex

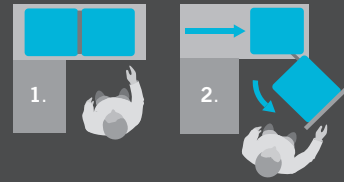
THE SOLID SOLUTION FOR 100% ACCESS TO STORAGE.



1. Best use of space
2. Optimal access, all baskets come out of the cabinet

VS COR® Fold

THE PRACTICAL SOLUTION FOR COMPLETE ACCESS WITH JUST ONE MOVE.



1. Best use of space
2. Optimal access, the front basket swivels out of the cabinet and gives access to the rear basket, which automatically moves into the front cabinet section

AREA IN FRONT OF THE CABINET

in percentage

100%

47%

HANDED/
UNHANDED

unhanded fitting
unhanded shelves

handed fitting
unhanded shelves

SURFACE
AREA

combined area
of 2x trays or baskets



Total area approx. 29.6 dm²

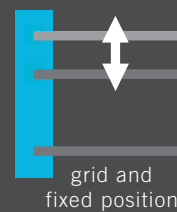
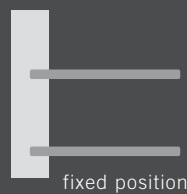


Total area approx. 30.2 dm²

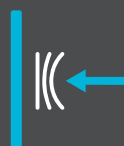
WEIGHT
CAPACITY
per shelf/
load capacity



HEIGHT
ADJUSTABILITY
OF TRAYS



SOFT-CLOSE



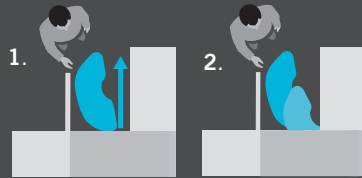
AMOUNT OF
BUILT-IN PARTS

fixed to cabinet

1

3

CORNERSTONE® MAXX
THE FINEST SOLUTION FOR GETTING
THE MOST OUT OF EVERY CORNER.



1. No blocking of neighbouring cabinet
2. Trays can be moved independently

CORNERSTONE® Swing
THE COMFORTABLE SOLUTIONS
THAT COMES TOWARDS YOU.



- 1./2. Lower tray automatically slides in/
out when cabinet is closed/opened

AREA IN FRONT
OF THE CABINET
in percentage

84%

83%

HANDED/
UNHANDED

unhanded fitting
handed shelves

unhanded fitting
unhanded shelves

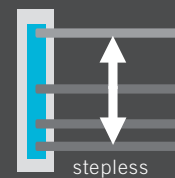
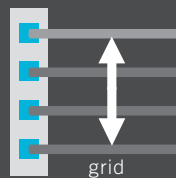
SURFACE
AREA
combined area
of 2x trays or baskets



WEIGHT
CAPACITY
per shelf/
load capacity



HEIGHT
ADJUSTABILITY
OF TRAYS



SOFT-CLOSE



AMOUNT OF
BUILT-IN PARTS
fixed to cabinet

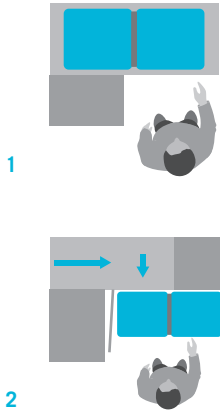
2

2



VS COR® Flex

ACCESS TO EVERY CORNER.



Even the largest storage space is useless if it's not accessible. That's why this system enables full access to the cabinet contents, transforming every corner into functional space. Installation is unhandled: the frame is mounted to the bottom of the corner cabinet.

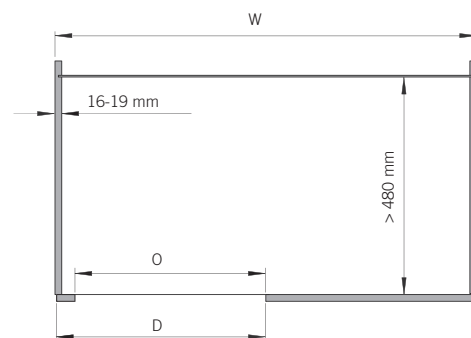
DETAILS

- ✓ Cabinet widths: 900 and min. 1000 mm
- ✓ Door widths: min. 450 and min. 500 mm
- ✓ Minimum installation depth: 480 mm
- ✓ Minimum installation height: 530 mm
- ✓ Basket height: Classic/Saphir: 75 mm, Premea/Planero: 84 mm
- ✓ Unhanded - the same system can be installed for a left and right hand application
- ✓ Integrated soft-closing and self-closing on both pull-outs
- ✓ Installation template: no measuring necessary when installing into cabinet
- ✓ Maximum load: 8 kg per basket
- ✓ Load capacity: max. 32 kg
- ✓ Basket variants: Classic, Saphir, Premea and Planero

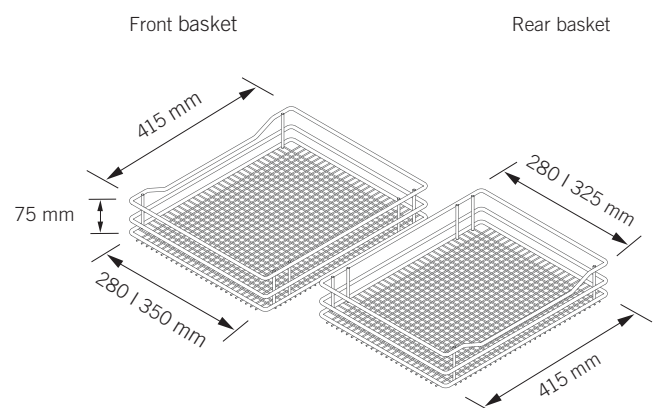
BENEFITS

1. Best use of space
2. Optimal access

Cabinet dimension



D	W	O
min. 450 mm	900 mm	≥ 381 mm
min. 500 mm	1000 mm	≥ 445 mm





VS COR® Flex I Planero lava grey



VS COR® Flex I Classic silver

VS COR® Flex I Classic silver

For cabinet width	For door width	Art. No.
900 mm	450 mm	548.29.853
1000 mm	500 mm	548.29.854



VS COR® Flex I Classic chrome

VS COR® Flex I Classic chrome

For cabinet width	For door width	Art. No.
900 mm	450 mm	548.29.753
1000 mm	500 mm	548.29.754



VS COR® Flex I Saphir chrome

VS COR® Flex I Saphir chrome

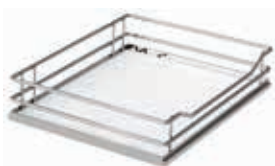
For cabinet width	For door width	Art. No.
900 mm	450 mm	548.29.213
1000 mm	500 mm	548.29.214



VS COR® Flex I
Premea lava grey

VS COR® Flex I Premea lava grey

For cabinet width	For door width	Art. No.
900 mm	450 mm	548.29.423
1000 mm	500 mm	548.29.424



VS COR® Flex I
Premea white chrome

VS COR Flex I Premea white chrome

For cabinet width	For door width	Art. No.
900 mm	450 mm	548.29.233
1000 mm	500 mm	548.29.234



VS COR® Flex I
Planero lava grey

VS COR Flex I Planero lava grey

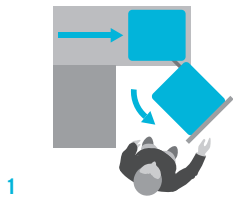
For cabinet width	For door width	Art. No.
900 mm	450 mm	548.29.343
1000 mm	500 mm	548.29.344



VS COR® Fold I Premea lava grey I right hand version

VS COR® Fold

TURNS A FOLD INTO KITCHEN GOLD.



1

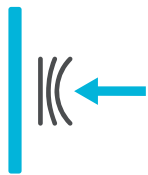
Regardless of what you've stored in the corner cabinet – with this solution, you can reach it effortlessly. The front baskets swivel out effortlessly when opening and facilitate access to the rear baskets, which automatically move into the front cabinet section. The integral self-closing damping unit guarantees quiet, effortless closure of the pull-out.



2

DETAILS

- ✓ Cabinet widths: 800 and min. 900 mm
- ✓ Door widths: 400 and min. 450 mm
- ✓ Minimum installation depth: 485 mm
- ✓ Minimum installation height: 530 mm
- ✓ Basket height: Classic/Saphir: 75 mm, Premea/Planero: 84 mm
- ✓ EasyFit: tool-free installation of the front onto pull-out
- ✓ 3D front adjustment allows simple, convenient front adjustment
- ✓ Individual height adjustment for baskets
- ✓ Maximum load: max. 8 kg per front basket, rear baskets 9.5 kg each
- ✓ Load capacity: max. 35 kg
- ✓ Basket variants: Classic, Saphir, Premea, Artline and Planero

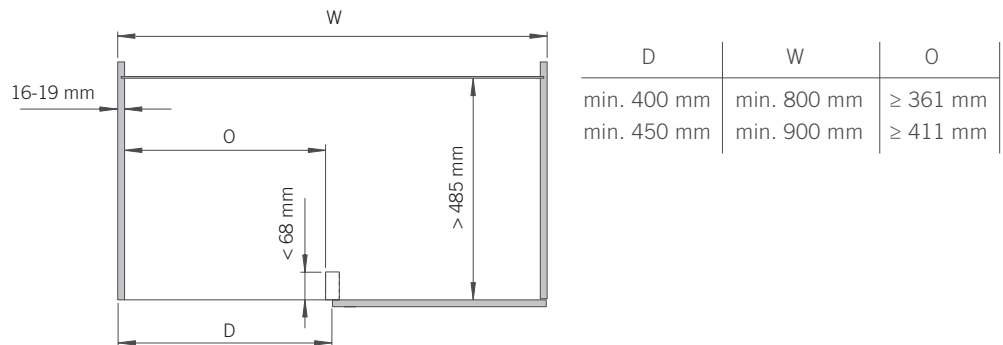


3

BENEFITS

1. Optimal access
2. Customisable height adjustment
3. Sound-damping and active soft-closing function

Cabinet dimension





VS COR® Fold I Planero lava grey I right hand version



VS COR® Fold I Classic silver

VS COR® Fold I Classic silver

For cabinet width	For door width	Left hand	Right hand
800 mm	400 mm	548.17.801	548.17.800
900 mm	450 mm	548.17.811	548.17.810



VS COR® Fold I Classic chrome

VS COR® Fold I Classic chrome

For cabinet width	For door width	Left hand	Right hand
800 mm	400 mm	548.17.001	548.17.000
900 mm	450 mm	548.17.011	548.17.010



VS COR® Fold I Saphir chrome

VS COR® Fold I Saphir chrome

For cabinet width	For door width	Left hand	Right hand
800 mm	400 mm	548.17.225	548.17.224
900 mm	450 mm	548.17.235	548.17.234



VS COR® Fold I
Premea lava grey

VS COR® Fold I Premea lava grey

For cabinet width	For door width	Left hand	Right hand
800 mm	400 mm	548.13.625	548.13.624
900 mm	450 mm	548.13.627	548.13.626



VS COR® Fold I
Planero lava grey

VS COR® Fold I Planero lava grey

For cabinet width	For door width	Left hand	Right hand
800 mm	400 mm	548.13.385	548.13.384
900 mm	450 mm	548.13.387	548.13.386



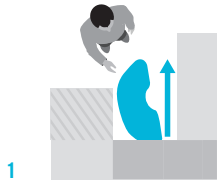
PAM

POWER
ASSISTED
MOVEMENT



CORNERSTONE® MAXX

THE MAXXIMUM IN INNOVATION.



1



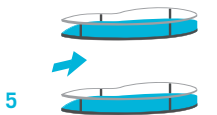
2



3



4



5



6

When you open the corner cabinet in the kitchen, you need a solution that meets you with the full contents - without obstructing the adjacent cabinets. CORNERSTONE® MAXX fulfills this need. Straight-extending kinematics with energy storage support, floating design with wide, stable shelf surface and simple installation. Your kitchen is upgraded in every respect as a result.

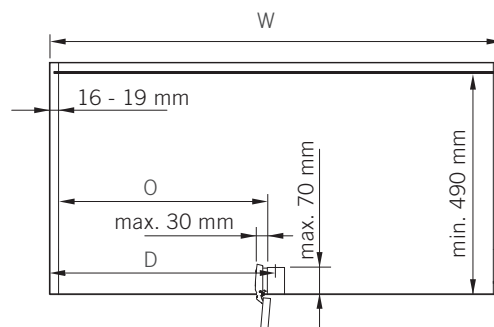
DETAILS

- ✓ Cabinet widths: 800, 900 and 1000 mm
- ✓ Door widths: 400-600 mm
- ✓ Installation depth: min. 490 mm
- ✓ Load capacity: max. 25 kg per shelf
- ✓ EasyFit: tool-free assembly of shelf elements on the support arms
- ✓ PAM: Power Assisted Movement in pull-out direction resulting in soft open and close
- ✓ Simple height adjustment, even when installed
- ✓ Large-area shelves - 3370 cm²
- ✓ The shelves can be moved in and out independently and do not obstruct the neighbouring cabinet
- ✓ Floating design due to hidden fastening
- ✓ Shelf variants: Rail and Planero

BENEFITS

1. No blocking of neighbouring cabinet
2. Maximised storage space & optimal access
3. Up to 25 kg per shelf
4. Customisable height adjustment
5. Soft closing (movement damping-shelves)
6. Floating design

Cabinet dimension



D	W	O
400 mm	800 mm	min. 361 mm
450 mm	900 mm	min. 411 mm
500 mm	1000 mm	min. 461 mm
600 mm	1000 mm	min. 561 mm



CORNERSTONE® MAXX | Planero lava grey | right hand version

CORNERSTONE® MAXX I Rail white chrome



CORNERSTONE® MAXX I
Rail white chrome

For cabinet width	For door width	Left hand	Right hand
800 mm	400 mm	542.02.291	542.02.290
900 mm	450 mm	542.02.293	542.02.292
1000 mm	500 mm	542.02.295	542.02.294
1000 mm	600 mm	542.02.297	542.02.296

CORNERSTONE® MAXX I Rail lava grey



CORNERSTONE® MAXX I
Rail lava grey

For cabinet width	For door width	Left hand	Right hand
800 mm	400 mm	542.02.881	542.02.880
900 mm	450 mm	542.02.883	542.02.882
1000 mm	500 mm	542.02.885	542.02.884
1000 mm	600 mm	542.02.887	542.02.886

CORNERSTONE® MAXX I Planero lava grey



CORNERSTONE® MAXX I
Planero lava grey

For cabinet width	For door width	Left hand	Right hand
800 mm	400 mm	542.02.491	542.02.490
900 mm	450 mm	542.02.493	542.02.492
1000 mm	500 mm	542.02.495	542.02.494
1000 mm	600 mm	542.02.497	542.02.496

CORNERSTONE® MAXX Extension pole



CORNERSTONE® MAXX I
Extension pole

Item	Installed height	Art. No.
CORNERSTONE MAXX, Extension pole	1100-1350 mm	542.02.001
CORNERSTONE MAXX, Extension pole	1350-1600 mm	542.02.002



CORNERSTONE® Swing | White chrome | unhandet

CORNERSTONE® Swing

THE CORNER IN THE CENTRE.



1



2



3



4



5



6

A CORNERSTONE® Swing carousel brings cabinet contents to the front of the unit. The shelves swivel out to a comfortable distance away from the cabinet; everything is within easy reach. Each shelf can be attached at the required height and the shelves disappear back inside the unit when the door is closed.

DETAILS

- ✓ Cabinet widths: 800, 900 and 1000 mm
- ✓ Door widths: 400, 450, 500 and 600 mm
- ✓ L-movement of the shelves allows free access to neighboring cabinets
- ✓ Unhanded
- ✓ Easy assembly - only support tube needs to be mounted
- ✓ Optional door attachment
- ✓ Large-area shelves - 3040 cm²
- ✓ **New:** optional soft-close. Requires separate purchase
- ✓ Set includes:
 - 2x Shelves
 - 1x Pull-out pivoting mechanism

BENEFITS

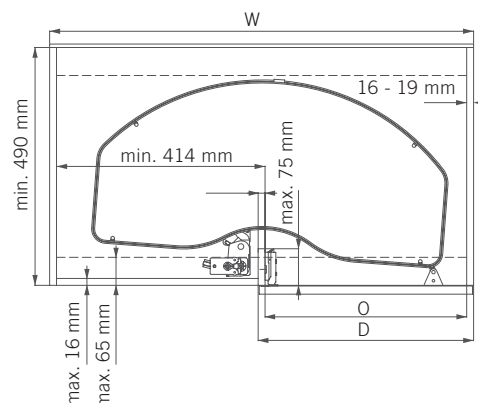
1. Lower shelf automatically slides out when cabinet is opened
2. Optimal access with everything within reach
3. Lower trays automatically slide back in when cabinet is closed
4. Customisable height adjustment
5. Up to 18 kg per shelf
6. Maximised storage space & optimal access

For cabinet width	For door width	White chrome	Premea lava grey
800 mm	400 mm	542.05.290	542.05.870
900 mm	450 mm	542.05.291	542.05.871
1000 mm	500 mm	542.05.292	542.05.872
1000 mm	600 mm	542.05.293	542.05.873

Item	Art. No.
Soft close mechanism	542.05.999

Note: Soft close is optional.

Cabinet dimension



W	O	D
min. 800 mm	362 - 368 mm	400 mm
min. 900 mm	412 - 418 mm	450 mm
min. 1000 mm	462 - 468 mm	500 mm
min. 1000 mm	562 - 568 mm	600 mm



CORNERSTONE® Swing I
White chrome



CORNERSTONE® Swing I
Rail Premea lava grey



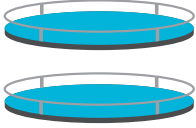
VS COR® Wheel Pro I 3/4 Rail lava grey

VS COR® Wheel Pro

EVERYTHING REVOLVES AROUND YOU.



1



2



3

When it comes to kitchen corners, the more accessible storage space, the better. That's why this corner cabinet solution has no space consuming central standpipe so allows you 20% more storage area - ideal for bulky kitchenware. The trays are held in place with a hidden support arm which is both more aesthetically pleasing and allows use in under-sink cabinets.

DETAILS

- ✓ Cabinet width: 900 x 900 mm
- ✓ Minimum side installation depth: 490 mm
- ✓ Minimum side installation height: 620 mm
- ✓ EasyFit: tool-free installation of storage units onto the supporting arms
- ✓ Flexible base positioning irrespective of cabinet height
- ✓ Can be installed in base, tall and wall cabinets
- ✓ Can be installed into an existing kitchen
- ✓ Load capacity: max. 27.5 kg per shelf
- ✓ Tray variant: Rail

BENEFITS

1. Optimal access
2. Floating design
3. Customisable height adjustment

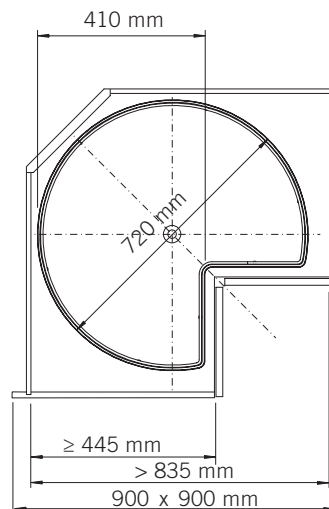


VS COR® Wheel Pro I
Rail white chrome

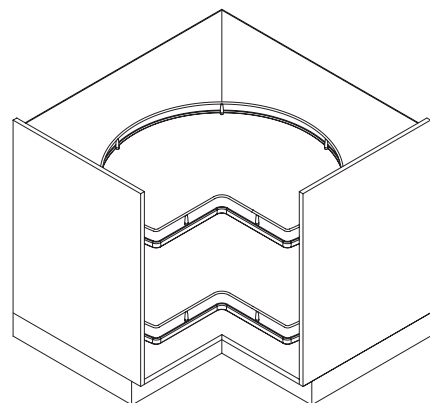


VS COR® Wheel Pro I
Rail lava grey

Variant	Art. No.
White chrome	542.62.812
Lava grey	542.26.412



VS COR® Wheel 3/4, Rail



VS

SUE

VS SUB[®] - BASE CABINETS

The base cabinet is fundamental to every kitchen. What happens under the work top is as important as what happens on top. Whether food or cooking utensils, cutlery or dishes, whether for

a small student's flat or a trendy loft – our base cabinet solutions are intelligent, versatile and flexible in order to make every day life easier.



VS SUB® Slim I Planero lava grey

VS SUB® Slim

NO GAP IS TOO SMALL.

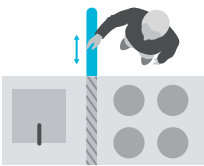
Niches in the kitchen often remain unused – until now. VS SUB® Slim units transform the smallest space into a storage miracle.



1



2



3



4

DETAILS

- ✓ Cabinet width: 150 mm
- ✓ Minimum installation depth: 495 mm
- ✓ Minimum installation height: 530 mm
- ✓ EasyFit: tool-free installation onto the runners
- ✓ Two versions: two storage racks or towel holder
- ✓ 3D front adjustment allows simple, convenient front adjustment
- ✓ Integrated soft-closing and self-closing on both runners
- ✓ Load capacity: max. 6 kg per shelf element

BENEFITS

1. Optimal use of space
2. Complete overview at one pull
3. Optimal access
4. Time-saving

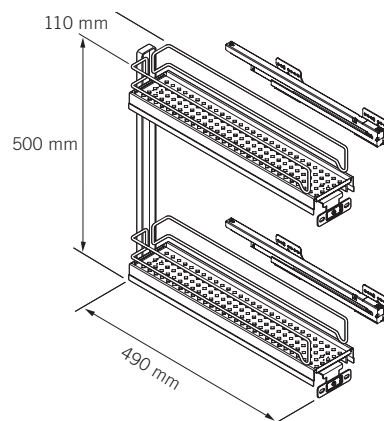


VS SUB® Slim lava grey

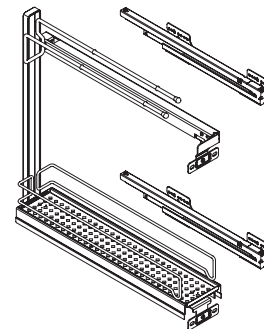


VS SUB® Slim Towel

Variant	150 mm
Silver	545.12.861
Chrome	545.12.272
Lava grey	545.12.572
Planero lava grey	548.08.320
VS SUB® Slim Towel silver	545.12.952
VS SUB® Slim Towel chrome	545.12.252



VS SUB® Slim storage rack



VS SUB® Slim Towel



VS SUB® Side I Premea lava grey

VS SUB® Side

ALWAYS AT YOUR SIDE.

The demands in the kitchen change at a rapid pace. The traditional system that fits into any space has been redeveloped in terms of design and functionality. Our basic pull-out hence is an unbeatable bestseller.

DETAILS

- ✓ Cabinet widths: 150 and 300 mm
- ✓ Minimum installation depth: 495 mm
- ✓ Minimum installation height: 580 mm
- ✓ Basket height: Saphir/Classic: 75 mm, Artline/Premea: 84 mm, Planero: 80 mm
- ✓ Unhanded
- ✓ EasyFit: tool-free connection to front
- ✓ Storage units for towels
- ✓ Individual height adjustment for baskets
- ✓ 3D front adjustment allows simple, convenient front adjustment
- ✓ Integrated soft-closing and self-closing
- ✓ Installation template: no measuring necessary when installing in cabinet
- ✓ Load capacity: max. 20 kg
- ✓ Storage versions: Classic, Saphir, Premea, Artline and Planero
- ✓ Basket set includes:
 - 2x storage baskets
 - 4x securing clips
 - 2x door hanging plates

BENEFITS

1. Optimal use of space
2. Complete overview at one pull
3. Optimal access
4. Time-saving
5. Customisable height adjustment

How to order VS SUB® Side:

1. Select VS SUB Side frame.
2. Add VS SUB® Side basket set.

Item	Art. No.
VS SUB® Side, frame silver	546.39.995
VS SUB® Side, frame lava grey	546.34.351

Variant	Basket height	300 mm
Classic silver	75 mm	546.40.903
Classic chrome	75 mm	546.40.303
Saphir chrome	75 mm	546.40.343
Premea lava grey	84 mm	546.40.493
Artline chrome	84 mm	546.40.363
Planero lava grey	80 mm	546.36.382

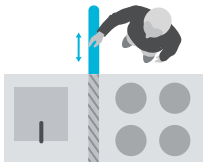
Note: Set includes 2 baskets.



1



2



3



4



5



VS SUB® Side I Classic



VS SUB® Side I Saphir



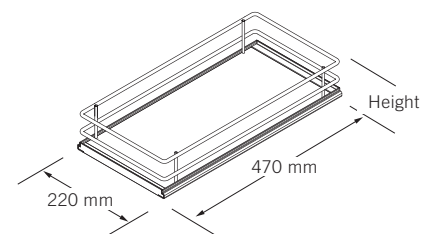
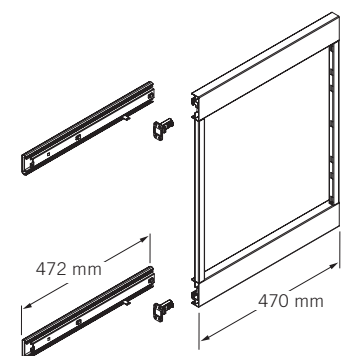
VS SUB® Side I Premea lava grey



VS SUB® Side I Planero



VS SUB® Side I Artline





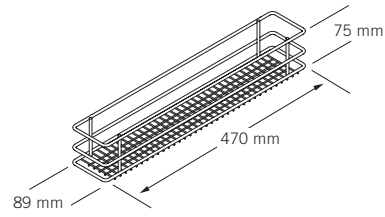
VS SUB® Side I Saphir chrome



VS SUB® Side I Saphir chrome

VS SUB® Side I Saphir chrome

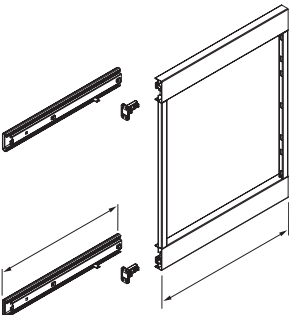
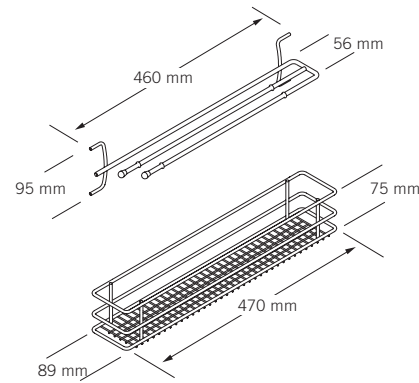
Cabinet width	Basket width	Item	Art. No.
150 mm	89 mm	VS SUB® Side, Saphir chrome	546.40.340



VS SUB® Side Towel

VS SUB® Side Towel chrome

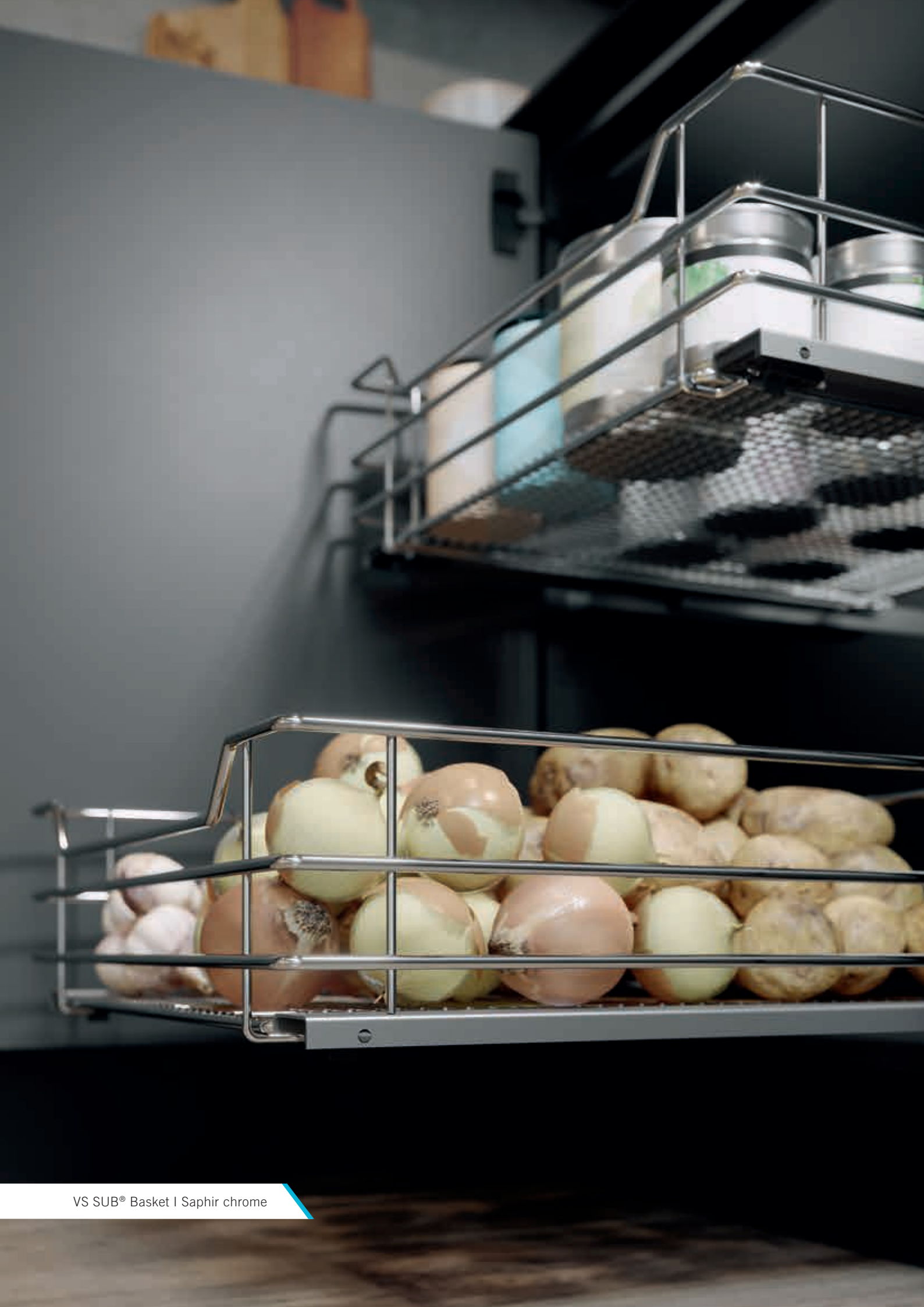
Cabinet width	Basket width	Item	Art. No.
150 mm	89 mm	VS SUB® Side Towel chrome	546.40.310



VS SUB® Side frame

Item	Art. No.
VS SUB® Side, frame silver	546.39.995

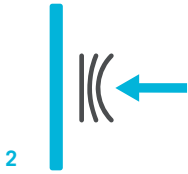
Note: Please order VS SUB® Side frame separately.



VS SUB® Basket | Saphir chrome

VS SUB® Basket

A NICE MOVE TO THE BASKET.



Pull-out baskets with integral self-closing and soft-closing for installation in cabinets with hinged doors or cabinets with door fronts.

DETAILS

- ✓ Cabinet widths: 400, 450, 500 and 600 mm
- ✓ Cabinet side: 16 - 19 mm
- ✓ Minimum installation depth: Saphir: 515 mm; Planero: 500 mm
- ✓ Minimum installation heights: 185 mm with runner, front attachment for front pull-out
- ✓ Variants with spacing strip for installation behind a door
- ✓ Baskets can be mounted on runners without tools
- ✓ Load capacity: Saphir: max. 20 kg per basket; Planero: max. 30 kg
- ✓ 3D front adjustment allows simple, convenient front adjustment
- ✓ Basket versions: Saphir and Planero

Set includes:

- 1x storage basket
- 1x runner set
- 1x spacing strip (Inner pull-out)

BENEFITS

1. Optimal access
2. Sound-damping and active soft-closing function



VS SUB® Basket I Saphir
Inner pull-out



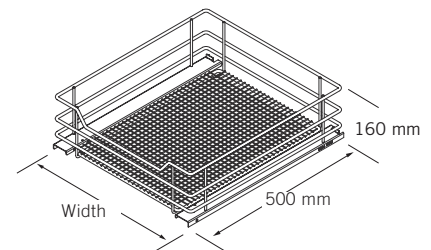
VS SUB® Basket I Planero
Inner pull-out



VS SUB® Basket I Saphir
Front pull-out

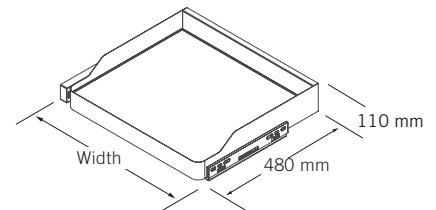
VS SUB® Basket I Saphir chrome Inner pull-out

For cabinet width	Basket width	Art. No.
400 mm	362-368 mm	548.01.212
450 mm	412-418 mm	548.01.213
500 mm	462-468 mm	548.01.214
600 mm	562-568 mm	548.01.216



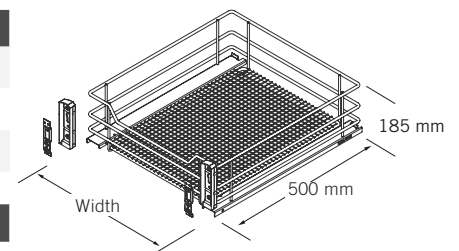
VS SUB® Basket I Planero lava grey Inner pull-out

For cabinet width	Basket width	Art. No.
400 mm	313 mm	548.01.492
500 mm	413 mm	548.01.494
600 mm	513 mm	548.01.495



VS SUB® Basket I Saphir chrome Front pull-out

For cabinet width	Basket width	Art. No.
400 mm	362-368 mm	548.01.202
500 mm	462-468 mm	548.01.204
600 mm	562-568 mm	548.01.206



Item	Art. No.
VS SUB® Basket front brackets	548.01.999

Note: VS SUB® Basket front brackets need to be ordered separately.

VS

ENVI



VS ENVI® - WASTE BIN SYSTEMS

Hygiene, environmental awareness and sustainability play a special role in the kitchen - especially in waste disposal. This requires system solutions which maintain both - the cleanliness of

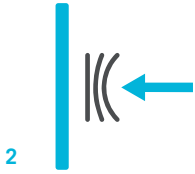
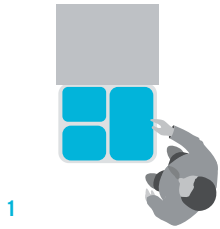
the kitchen and a flexible separation. As a result, it's not only your own living space that stays clean, but nature as well.



VS ENVI® Space XX Pro with two-bin version (1x32, 1x1.2 litres)

VS ENVI® Space XX Pro (S)

BIG HELP IN A SMALL KITCHEN.



The space-saving VS ENVI® Space XX, with its own rail system, automatic closure and soft-close can be installed laterally in a very small kitchen unit, providing high-capacity, convenient waste disposal close to the worktop. Equipped with a guide system, self-closure and soft-close, it accommodates large containers even in small kitchen cabinets. The system can be used directly under the counter top, enabling easy input of waste, directly from the work surface.

DETAILS

- ✓ Cabinet widths: 300, 400, 450, 500 and 600 mm
- ✓ Installation depth: min. 515 or 476 mm
- ✓ Installation height: min. 580 mm
- ✓ Integrated 3D front adjustment using an excenter
- ✓ Integrated soft-closing and self-closing on both versions
- ✓ Additional storage available using powder-coated lid
- ✓ System capacity: 33.2 to 91 litres

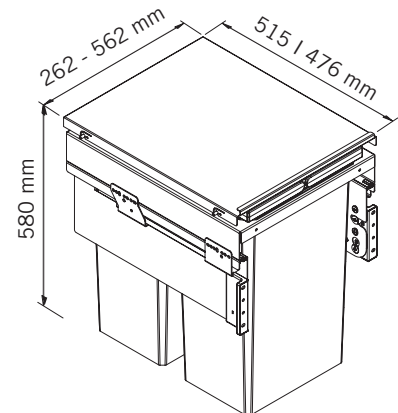
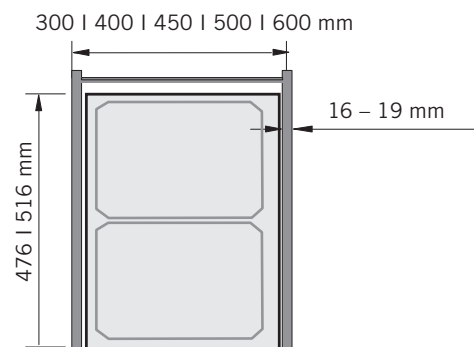
BENEFITS

1. Clearly arranged waste separation
2. Sound-damping and active soft-closing function
3. Easy to clean
4. Various container sizes



VS ENVI® Space XX Pro (S) |
Perfect for storage

Cabinet dimension





VS ENVI® Space XX Pro with two-bin version (2x44 litres)



VS ENVI® Space XX Pro S I
Silver

VS ENVI® Space XX Pro S I Silver

For cabinet width	Depth	Bins included	Variant	Art. No.
300 mm	476 mm	1x1.2 and 1x32 litres	Silver	503.44.510
400 mm	476 mm	1x1.2 and 1x32 litres	Silver	503.44.511
400 mm	476 mm	1x44 litres	Silver	503.44.541
450 mm	476 mm	2x32 litres	Silver	503.44.512
500 mm	476 mm	2x32 litres	Silver	503.44.513
600 mm	476 mm	1x21 and 2x32 litres	Silver	503.44.514
600 mm	476 mm	2x44 litres	Silver	503.44.544



VS ENVI® Space XX Pro S I
Lava grey

VS ENVI® Space XX Pro S I Lava grey

For cabinet width	Depth	Bins included	Variant	Art. No.
300 mm	476 mm	1x1.2 and 1x32 litres	Lava grey	503.44.310
400 mm	476 mm	1x1.2 and 1x32 litres	Lava grey	503.44.311
400 mm	476 mm	1x44 litres	Lava grey	503.44.341
450 mm	476 mm	2x32 litres	Lava grey	503.44.312
500 mm	476 mm	2x32 litres	Lava grey	503.44.313
600 mm	476 mm	1x21 and 2x32 litres	Lava grey	503.44.314
600 mm	476 mm	2x44 litres	Lava grey	503.44.344



VS ENVI® Space XX Pro I
Silver

VS ENVI® Space XX Pro I Silver

For cabinet width	Depth	Bins included	Variant	Art. No.
300 mm	515 mm	1x1.2 and 1x32 litres	Silver	503.44.500
400 mm	515 mm	1x1.2 and 1x35 litres	Silver	503.44.501
400 mm	515 mm	1x44 litres	Silver	503.44.551
450 mm	515 mm	2x35 litres	Silver	503.44.502
500 mm	515 mm	2x35 litres	Silver	503.44.503
600 mm	515 mm	1x21 and 2x35 litres	Silver	503.44.504
600 mm	515 mm	2x44 litres	Silver	503.44.554



VS ENVI® Space XX Pro I
Lava grey

VS ENVI® Space XX Pro I Lava grey

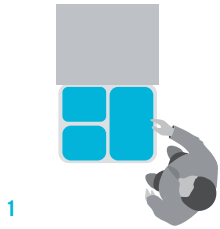
For cabinet width	Depth	Bins included	Variant	Art. No.
300 mm	515 mm	1x1.2 and 1x32 litres	Lava grey	503.44.300
400 mm	515 mm	1x1.2 and 1x35 litres	Lava grey	503.44.301
400 mm	515 mm	1x44 litres	Lava grey	503.44.351
450 mm	515 mm	2x35 litres	Lava grey	503.44.302
500 mm	515 mm	2x35 litres	Lava grey	503.44.303
600 mm	515 mm	1x21 and 2x35 litres	Lava grey	503.44.304
600 mm	515 mm	2x44 litres	Lava grey	503.44.354



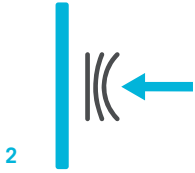
VS ENVI® Space with three-bin version (2x12.5 and 1x28 litres)

VS ENVI® Space (Pro)

EVEN THE UNUSABLE NEEDS SPACE.



1



2



3



4

Dishes, cutlery, cooking utensils and food share storage space in the kitchen. But waste needs space, too. Thanks to its various volumes, this space-saving system is the optimal solution. The containers are made from high quality plastic with side walls that are especially easy to clean. The soft-close pull-out guarantees quiet, effortless closing.

DETAILS

- ✓ Cabinet widths: 400, 450, 500 and 600 mm
- ✓ Installation depth: 464 mm
- ✓ Installation height: VS ENVI® Space for 400 mm cabinet width: 370 mm
VS ENVI® Space Pro for 450-600 mm cabinet width: 470 mm
- ✓ EasyFit: tool-free installation of bin support onto the runners
- ✓ Integral installation template: no measuring necessary when installing into cabinet
- ✓ Integrated 3-D front adjustment using an excenter
- ✓ Integrated soft-closing and self-closing in both runners
- ✓ Additional storage available on powder-coated removable lid
- ✓ Special insert for perfect bag fastening (39 litres bin)

BENEFITS

1. Clearly arranged waste separation
2. Sound-damping and active soft-closing function
3. Easy to clean
4. Various container sizes



VS ENVI® Space Pro I Silver
(1x21, 1x39 litres)



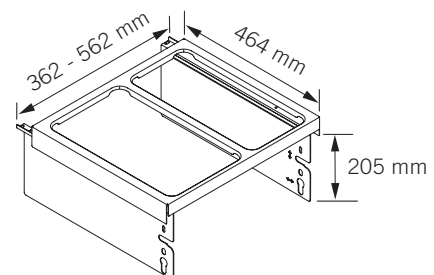
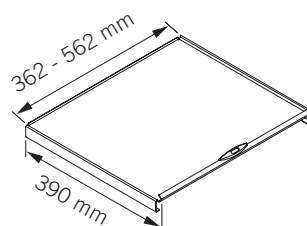
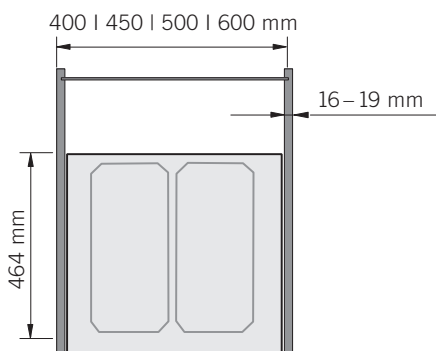
VS ENVI® Space Pro I Lava grey
(2x12.5, 1x21 litres)

For cabinet width	Bins included	Silver	Lava grey
400 mm	2x10 litres bin	503.04.503	503.04.303
450 mm	2x21 litres bin	503.04.514	503.04.314
500 mm	1x21 litres and 1x28 litres bin	503.04.515	503.04.315
500 mm	2x12.5 litres and 1x21 litres bin	503.04.525	503.04.325
600 mm	2x28 litres bin	503.04.517	503.04.317
600 mm	2x12.5 litres and 1x28 litres bin	503.04.537	503.04.337
600 mm	1x21 litres and 1x39 litres bin	503.04.547	503.04.347

Note: Set includes bin.

Cabinet dimension

Product dimension

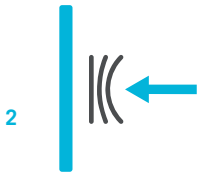




VS ENVI® Space S undersink bin 600 mm cabinet - 2 bins

VS ENVI® Space S undersink bin

EVEN THE UNUSABLE NEEDS SPACE.



VS ENVI® Space S I 500 mm cabinet (1x12, 1x15.5 litres)



VS ENVI® Space S I 500 mm cabinet (2x7.5, 1x12 litres)

Dishes, cutlery, cooking utensils and food share storage space in the kitchen. But waste needs space too. Thanks to its various volumes, this space-saving system is the optimal solution. The containers are made from high quality plastic with side walls that are especially easy to clean. The soft-close pull-out guarantees quiet, effortless cleaning.

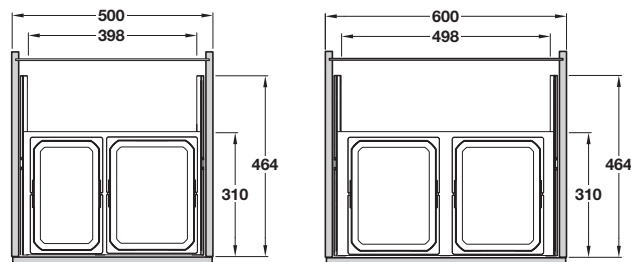
DETAILS

- ✓ Cabinet widths: 500 and 600 mm
- ✓ Installation depth: 464 mm; 310 mm (allowing for piping system)
- ✓ Installation height: 370 mm
- ✓ EasyFit: tool-free installation of bin support onto the runners
- ✓ Integral installation template: no measuring necessary when inserting into cabinet
- ✓ Integrated 3D front adjustment using an excenter
- ✓ Integrated soft-closing and self-closing on both versions
- ✓ Additional storage available using powder-coated lid
- ✓ Special insert for perfect bag fastening

BENEFITS

1. Optimal use of space through reduced depth
2. Clearly arranged waste separation
3. Sound dampening and active soft-closing function
4. Easy to clean
5. Various container sizes

Cabinet dimension



VS ENVI® Space S undersink bin | Lava grey

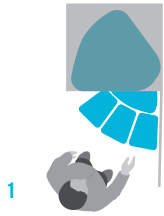
For cabinet width	Total capacity	Bins included	Variant	Art. No.
500 mm	27.5 litres	1x12 and 1x15.5 litres	Lava grey	503.17.333
500 mm	27 litres	2x7.5 and 1x12 litres	Lava grey	503.17.343
600 mm	31 litres	2x15.5 litres	Lava grey	503.17.354
600 mm	30.5 litres	2x7.5 and 1x15.5 litres	Lava grey	503.17.364



VS ENVI® Center 3 (1x9 + 1x12 and 1x18 litres)

VS ENVI® Center

AN ALL-AROUND SUCCESS FOR HYGIENE.



1

Handling kitchen waste requires reliable solutions like these: When the system is opened the lid lifts up and the bins swing out; when the system is closed, the lid is automatically placed on the bins. Cleanliness and hygiene are of prime importance. The bins are made of high-grade plastic with extra-smooth sides, making them easier to clean.



2

DETAILS

- ✓ Cabinet width: min. 500 mm (three-bin version)
- ✓ Minimum installation depth: 450 mm for three-bin version
- ✓ Minimum installation height: min. 525 mm
- ✓ EasyFit: tool-free removal and replacement after initial installation
- ✓ Easy removal of entire system for cleaning the cupboard
- ✓ No additional strain on the front
- ✓ Bins swing out automatically when the door is opened
- ✓ Can be combined with all standard hinges
- ✓ Total capacity system: 39 litres



3



4

BENEFITS

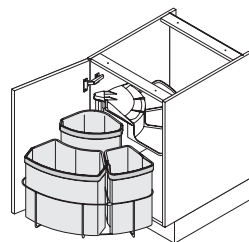
1. Clearly arranged waste separation
2. Automatic opening and closing
3. Odour sealing
4. Easy to clean

For cabinet width	Bins	Art. No.
min. 500 mm	1x9 litres + 1x12 and 1x18 litres	502.79.323

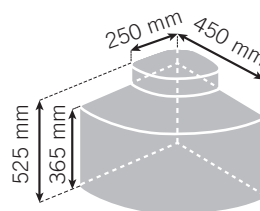


VS ENVI® Center 3 | 500 mm cabinet (1x9 + 1x12, 1x18 litres)

Cabinet dimension



VS ENVI Center 3





VS ENVI® Single I lava grey



1



2



3



4



5

VS ENVI® Single

THE LITTLE ONE THAT PACKS A PUNCH IN CLEANLINESS.

The new VS ENVI® Single ensures tidiness and cleanliness in areas where space is limited and must be used as strategically as possible. In addition to high-quality waste bin systems, the VS ENVI® range now also offers a sophisticated single solution for smaller houses and urban living. Cost-effective and easy to assemble. Perfect and adaptable for the kitchen or bathroom.

DETAILS

- ✓ Cabinet widths: 400 mm (7 and 10 litres), 450 mm (12 and 15.5 litres)
- ✓ Installation depths: min. 240 mm (7 and 10 litres), min. 280 mm (12 and 15.5 litres)
- ✓ Installation heights: min. 380 mm (7 and 12 litres), min. 450 mm (10 and 15.5 litres)
- ✓ Attachable on both sides
- ✓ Easy installation
- ✓ Can be retrofitted
- ✓ Dip in the lid for storing rolls of bin bags
- ✓ The bin swings out automatically when the door is opened
- ✓ Can be combined with all standard shock-absorbing hinges
- ✓ The container, lid and bin frame can be removed, cleaned and washed easily
- ✓ Bin capacity: 7, 10, 12 and 15.5 litres
- ✓ Dishwasher safe

BENEFITS

1. Effortless installation
2. Automatic opening and closing
3. Built-in storage for rubbish bags
4. Versatile for kitchen and bathroom use
5. Easy to clean



VS ENVI® Single (1x7 litres)



VS ENVI® Single (1x10 litres)



VS ENVI® Single (1x12 litres)



VS ENVI® Single (1x15.5 litres)

For cabinet width	Bins	Grey/silver	Lava grey
400 mm	1x7 litres	503.16.921	503.42.300
400 mm	1x10 litres	503.16.922	503.42.301
450 mm	1x12 litres	503.16.923	503.42.302
450 mm	1x15.5 litres	-	503.42.303

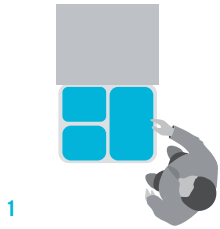


Use your
own drawer

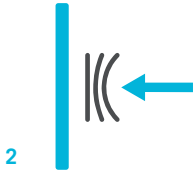
VS ENVI® Fit with three-bin version (2x12.5 and 1x28 litres)

VS ENVI® Fit

FIT IN EVERY KITCHEN.



1



2



3



4

You don't have to turn entire kitchen on its head to optimise waste sorting. This solution can be integrated in any standard pull-out, to keep the same drawer system in the entire kitchen. The flexible frame replaces the bottom and back wall of the drawer. The casing does not have to be replaced.

DETAILS

- ✓ Cabinet widths: 450, 500 and 600 mm
- ✓ Installation depth: 470 mm
- ✓ Can be installed in 450-600 mm pull-out drawer systems
- ✓ Installation height: min. 460 mm
- ✓ The fixed frame replaces the bottom of the drawer
 - individually adjustable
 - in combination with wood or steel rear wall
- ✓ The simple installation allows for maximum flexibility in relation to the frame system with minimal variants
- ✓ Fixed metal lid
- ✓ Version available in silver

BENEFITS

1. Clearly arranged waste separation
2. Sound-damping and active soft-closing function
3. Easy to clean
4. Various container sizes



VS ENVI® Fit two-bin version
(2x21 litres)

For cabinet width	Bins included	Art. No.
450 mm	39 litres	503.17.552
500 mm	39 litres	503.17.553
500 mm	2x21 litres	503.17.554
600 mm	2x28 litres	503.17.555
600 mm	2x12.5 litres and 1x28 litres	503.17.556

Note: Set includes bins.

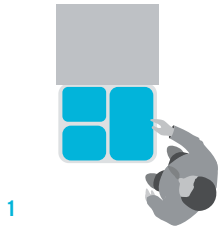




VS ENVI® Free

VS ENVI® Free

FREE REIN FOR WASTE SORTING.



1



2



3

In the kitchen you should have the final word. With individually configurable and freely positionable containers, this waste sorting system provides you with enormous freedom. Because it is based on the drawer pull-outs of the respective furniture producer, every combination is possible: from manufacturer-specific convenience features to full pull-out and shock-absorbing closure to automatic.

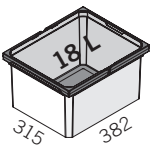
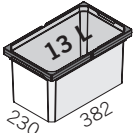
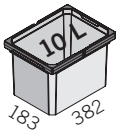
DETAILS

- ✓ Bin heights: 216 and 256 mm
- ✓ Width-independent placement
- ✓ Can be retrofit in all pull-out systems
- ✓ Optional lid variant
- ✓ Special insert for perfect bag fastening
- ✓ Bin volume: 6 to 18 litres
- ✓ Version available in silver

BENEFITS

1. Clearly arranged waste separation
2. Easy to clean
3. Various container sizes

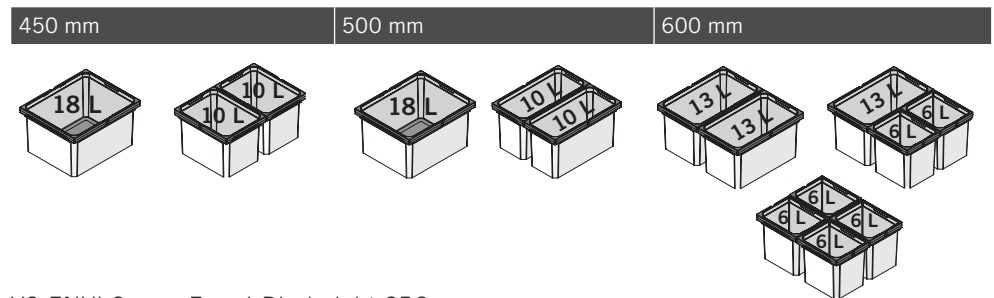
216 mm height



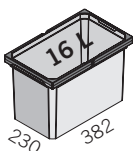
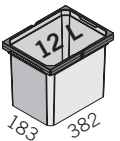
Height	Bin	Art. No.
216 mm	6 litres	503.04.992
216 mm	10 litres	503.04.994
216 mm	13 litres	503.04.995
216 mm	18 litres	503.04.997
256 mm	7 litres	503.04.993
256 mm	12 litres	503.04.996
256 mm	16 litres	503.04.998

Item	For Bin	Art. No.
Lid	6 and 7 litres	503.04.980
Lid	10 and 12 litres	503.04.981
Lid	13 and 16 litres	503.04.982

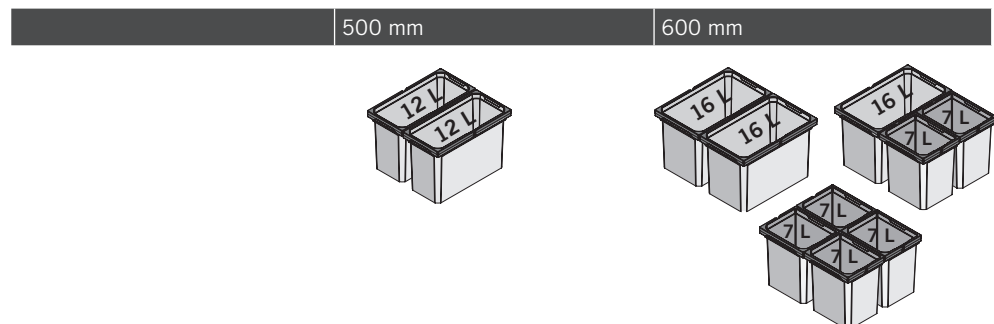
VS ENVI Space Free I Bin height 216 mm



256 mm height



VS ENVI Space Free I Bin height 256 mm

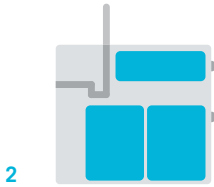




VS ENVI® Drawer 1x1.2 and 1x2.7 litre bins in combination with VS ENVI® Space

VS ENVI® Drawer

MORE SPACE, MORE ORGANISATION.



Why not get the most benefit of your waste bin cabinet? This innovative module expands the usable storage space with a drawer holding containers for cleaning and kitchen consumables. Depending on the position of the water connections, plastic containers can be suspended in the powder-coated metal framework. Two synchronized full pull-outs provide for an easy opening and soft-closing.

DETAILS

- ✓ Cabinet widths: 500 and 600 mm
- ✓ Installation depth: 486 mm with hanging bin
- ✓ Installation height: 132 mm
- ✓ Capacity of small bin 1.2 litres, large bin 2.7 litres
- ✓ EasyFit: tool-free installation of bin support onto the runners
- ✓ Integrated installation template: no measuring necessary when installing into cabinet
- ✓ Integrated soft-closing and self-closing on both versions

BENEFITS

1. Clearly arranged storage
2. Optimal use of space
3. Easy to clean



VS ENVI® Drawer I 500 mm cabinet

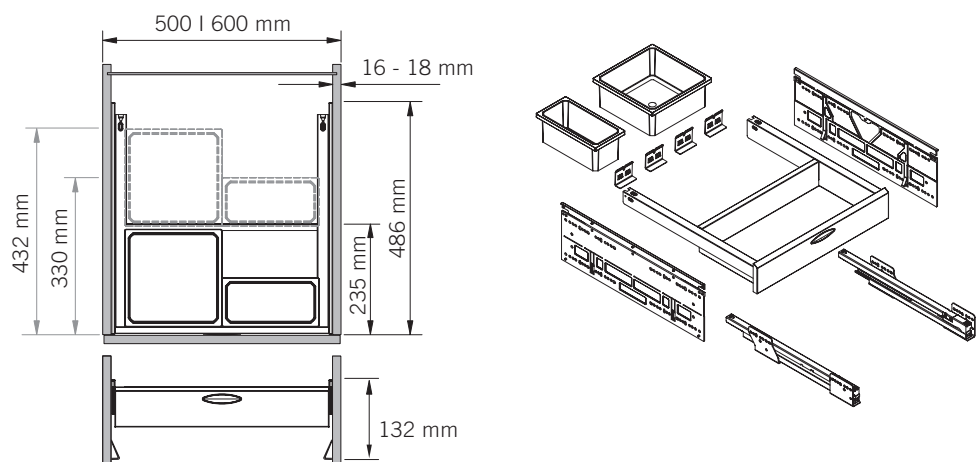


VS ENVI® Drawer I 600 mm cabinet

For cabinet width	Bins included	Silver	Lava grey
500 mm	1x1.2 and 1x2.7 litres	503.16.972	503.16.371
600 mm	1x1.2 and 1x2.7 litres	503.16.973	503.16.373

Note: Only 2 bins are included in the set.

Cabinet dimension





VS ENVI® Kick

KICK TO OPEN.

A system for a soft and comfortable opening of all front pull-outs such as the VS ENVI® Space, VS ENVI® Space XX and VS ENVI Fit. The ergonomically and pleasantly designed pedal, opens the waste bin system fully with little effort. The opening mechanism returns automatically to its starting position.

DETAILS

- ✓ Simple and hands-free door opening using foot pedal
- ✓ Minimum plinth height: 70 mm
- ✓ For all front pull-outs for VS ENVI Space, VS ENVI® XX and VS ENVI® Fit with self-closing and soft-closing
- ✓ Easy installation with installation template provided with the kit
- ✓ EasyFit: tool-free installation of bin support onto the runners
- ✓ Minimum required space under the waste bin systems or drawers
- ✓ Retrofit in any pull-out system with front opening possible
- ✓ Pedal is returned to starting position by a spring
- ✓ Virtually silent
- ✓ No scratching to the front

Item	Art. No.
VS ENVI® Kick, matt chrome	503.04.950





ABOUT VAUTH-SAGEL

Since 1962, our name has stood for entrepreneurial independence, quality and sustainability. This makes us proud – and gives our customers confidence in having chosen the right partner.



SUSTAINABILITY

WE DON'T JUST TALK ABOUT IT.
WE PUT IT INTO PRACTICE.

Responsibility for people and the environment is firmly anchored at the core of our business and is inextricably linked to the corporate success of our company. That is why we have invested considerably in the consistent implementation of resource-saving measures. We are proud of results, which prove that it is possible to move mountains: 50% energy savings through conversion to LED

lighting, 44% through optimization of the compressed air system and a 35% saving in resources through powder coating are examples of the path that Vauth-Sagel is taking: in the direction of efficient, sustainable recycling management and, as a consequence, a healthy environment with clean water, fertile soils and clean air.

EXEMPLARY MEASURES IN OUR PLANTS



Sustainable heating



Identification of compressed air energy saving potentials



Reduction of electricity consumption



Sustainable painting



Power generation through photovoltaics



Optimization of building management and control technology



Sustainable fleet management



Supporting the "Plant for the planet" initiative





Those who work with many materials, must know many materials.

When it comes to materials, perfection is our only standard. Whether wire, steel, sheet metal, wood or plastic – with our customized system solutions, we offer unique material expertise from a single source, resulting in a unique value-added chain. Our production in the heart of Germany, our enormous technical expertise and our commitment to always operating at the highest level in terms of process and quality give us and our customers the possibility to find new opportunities together.



”

*A future always
needs a past.*

Vauth-Sagel has successfully been in business for more than 60 years. Since the baby boomer days of the 1960's to the rediscovery of the kitchen in the 80's – we have recognized and shaped social trends. Just as long we have been a close partner to kitchen industry. Our reliability commit us to lasting quality. We consider the internationally famous expression "Made in Germany" to be a promise that we commit to every day. Our reliability commits us to develop a lasting quality. This is the driving force to improve our efforts every day.



CERTIFICATE

VAUTH-SAGEL SYSTEMTECHNIK GmbH & Co. KG
WARRANTS ALL ITS PRODUCTS SUBJECT
TO THE TERMS AND CONDITIONS OF SALE
WITH A

10 YEARS WARRANTY



